

PRODUCT INFORMATION PACKET

Model No: 5KCR49RN2148T

Catalog No: C1161

2 HP Fan and Blower HVAC/R Motor, 1 phase, 3600 RPM, 115/208-230 V, 56H Frame, ODP
Self Cooled Motors



Nameplate Specifications

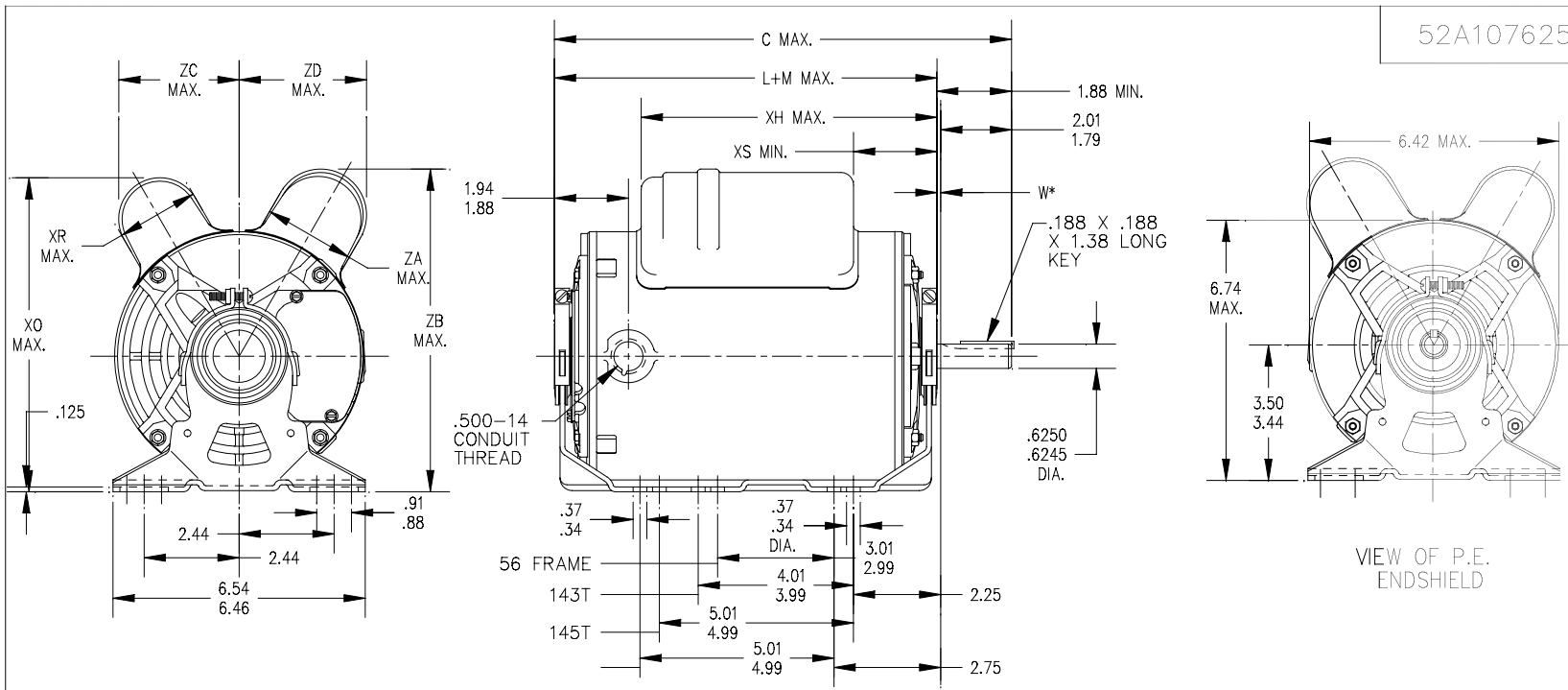
Output HP	2 Hp	Output KW	1.5 kW
Frequency	60 Hz	Voltage	115/208-230 V
Current	19.6,10.4-9.8 A	Speed	3450 rpm
Service Factor	1.2	Phase	1
Efficiency	75.5 %	Power Factor	0
Duty	Continuous	Insulation Class	B
KVA Code	K	Frame	56H
Enclosure	Drip Proof	Thermal Protection	AUTO
Ambient Temperature	40 °C	Drive End Bearing Size	6203
Opp Drive End Bearing Size	6203	UL	Recognized
CSA	Yes	CE	N

Technical Specifications

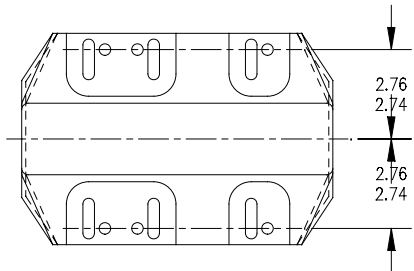
Electrical Type	Capacitor Start Capacitor Run	Starting Method	SM
Poles	2	Rotation	Counterclockwise/Clockwise
Mounting	Resilient Base	Motor Orientation	ANY
Drive End Bearing	BALL	Opp Drive End Bearing	Ball
Frame Material	Rolled Steel	Overall Length	11.9 in
Frame Length	7.68 in	Shaft Diameter	0.630 in
Shaft Extension	1.88 in	Thru-bolts Extension	0 in
Connection Drawing	52A105383AC	Outline Drawing	52A107625P2

This is an uncontrolled document once printed or downloaded and is subject to change without notice. Date Created:03/11/2020


52A107625

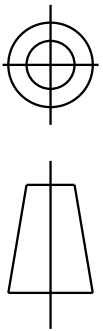


W* IS A VARIABLE CLEARANCE DUE TO VARIATIONS IN PARTS AND ASSEMBLY.



7	KCR	49	56H	13.96	11.96	10.15	8.18	2.15	2.01	1.60	7.63	3.20	3.16	9.63
6	KCR	49	56H	13.96	11.96	8.30	8.16	2.10	2.63	2.40	8.39	3.14	3.33	9.63
5	KCR	49	56H	13.96	11.96	9.67	8.16	2.10	4.00	2.40	8.39	3.14	3.33	9.63
4	KCR	48	56H	12.66	10.76	7.76	8.18	2.15	2.01	2.40	8.40	3.20	3.38	8.43
3	KCR	48	56H	12.66	10.76	7.76	8.18	2.15	2.01	2.72	8.77	3.20	3.68	8.43
2	KCR	49	56H	11.91	10.01	7.76	8.18	2.15	2.01	1.60	7.81	3.20	3.07	7.68
1	KCR	49	56H	11.91	10.01	7.76	8.18	2.15	2.01	2.40	8.40	3.20	3.38	7.68
P	TYPE	GE SIZE	NEMA FR	C	L+M	XH	XO	XR	XS	ZA	ZB	ZC	ZD	MIN. SHELL

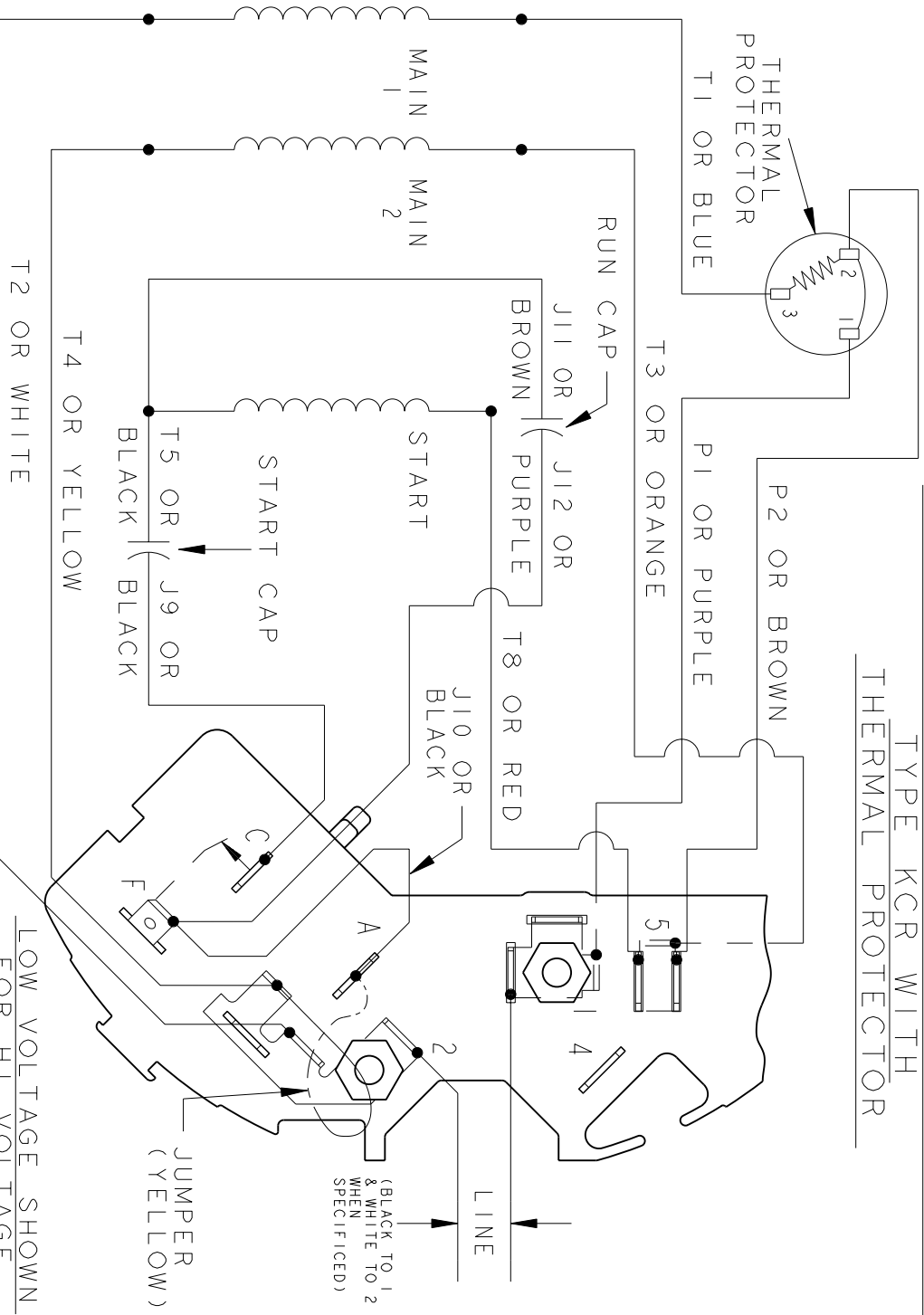
				TOLERANCES UNLESS SPECIFIED		 REGAL-BELOIT CORPORATION TITLE: OUTLINE DP- RESIL BASE - BALL -40 FR					DRAWN KK 06/18/15		
				DEC.	INCHES						CHK		
				.X	±0.1						APPD KK 06/18/15		
				.XX	±0.02						SCALE 1=1		
9	ADDED PART #7 PER DS05-1253	RJ 11/10/15		.XXX	±0.005	REF XXXXXXXX							
NO.	REVISION	BY & DATE	CHK ANG	.XXXX	±0.0005	FMF							
				RFP	±1.0	PREV							
THIS DRAWING IN DESIGN AND DETAIL IS OUR PROPERTY AND MUST NOT BE USED EXCEPT IN CONNECTION WITH OUR WORK. ALL RIGHTS OF DESIGN AND INVENTION ARE RESERVED. THIS IS AN ELECTRONICALLY GENERATED DOCUMENT - DO NOT SCALE THIS PRINT.				DIST		CAD FILE	52A107625	SIZE	A	DRAWING NO.	52A107625	REV.	



REV.	DESCRIPTION	DATE	APPROVED
4	ADDED NOTE FOR LINE LEAD PER DS09-1045	07/15/09	ARCHANA

EITHER ROTATION - DUAL VOLTAGE
TYPE KCR WITH
THERMAL PROTECTOR

52A105383AC



LOW VOLTAGE SHOWN
FOR HI VOLTAGE
SEE NOTE #1

- NOTE #1 - FOR HI VOLTAGE REMOVE BROWN (P2) FROM TERMINAL #5 AND PLACE ON TERMINAL #4, REMOVE WHITE (T2) FROM TERMINAL #2 AND PLACE ON TERMINAL #5.
- NOTE #2 - TO REVERSE ROTATION INTERCHANGE BLACK (J10) AND RED (T8) LEADS.
- NOTE #3 - WHEN MORE THAN ONE CAPACITOR IS USED CONNECT IN PARALLEL.

REF. DIAG. - NONE

SWITCH - 115D958AC

CONNECTION LABEL - 52X332051

SIGNATURES	DATE
MODEL M.D. PAPE	03/03/88
DETAIL	
CHECKED	
ENGRG	
MFG	
FOR ADDITIONAL INFO REFER TO:	
APPLIED PRACTICES	QUALITY
DIMENSIONS ARE IN INCHES	ISSUED
MATERIAL	SOLID MODEL: 52A105383AC



REGAL-BELOVT CORPORATION

TITLE CONNECTION DIAGRAM

FMF: 30 FRAME SWITCH REDESIGN

SIZE DRAWING A
SCALE: 1.000 REF. No.:
52A105383AC

REV 4 SHEET 1 of 1